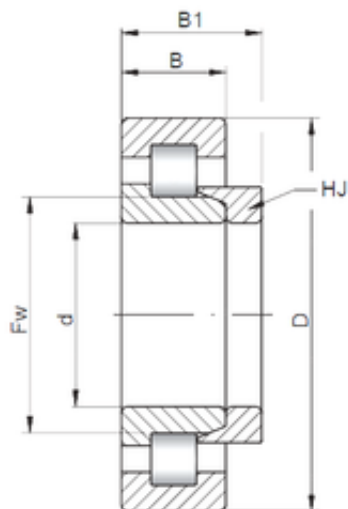




SKF BEARINGS Manufacturing India LTD.



170 mm x 360 mm x 120 mm ISO NH2334
cylindrical roller bearings

Bearing No. NH2334

Size	170x360x120 mm
Bore Diameter	170 mm
Outer Diameter	360 mm
Width	120 mm
d	170 mm
D	360 mm
B	120 mm
C	120 mm
B1	16 mm
B2	38,5 mm

NH2334 Bearing 2D drawings and 3D CAD models