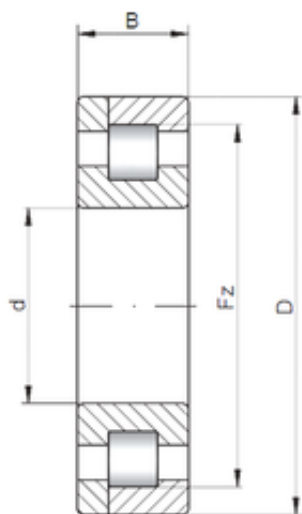




SKF BEARINGS Manufacturing India LTD.



170 mm x 360 mm x 120 mm Loyal NP2334 cylindrical roller bearings

Bearing No. NP2334

Size	170x360x120 mm
Bore Diameter	170 mm
Outer Diameter	360 mm
Width	120 mm
d	170 mm
D	360 mm
Ew	310 mm
B	120 mm
C	120 mm
Weight	70,3 Kg
Basic dynamic load rating (C)	1220 kN
Basic static load rating (C0)	1750 kN
(Grease) Lubrication Speed	1300 r/min

NP2334 Bearing 2D drawings and 3D CAD models