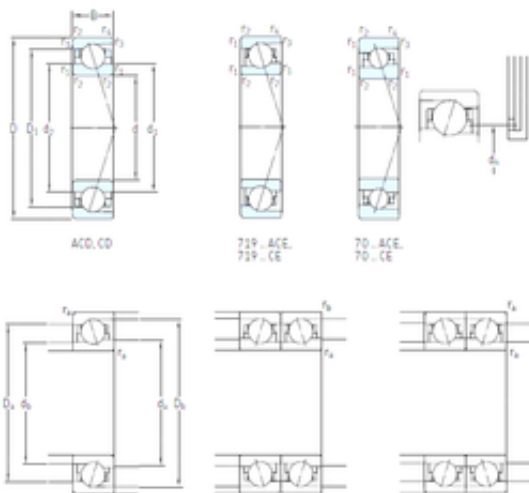




SKF BEARINGS Manufacturing India LTD.



17 mm x 30 mm x 7 mm SKF 71903
ACE/HCP4A angular contact ball bearings

Bearing No. 71903 ACE/HCP4A

71903 ACE/HCP4A Bearing 2D drawings and 3D CAD models

Size	17x30x7 mm
Bore Diameter	17 mm
Outer Diameter	30 mm
Width	7 mm
d	17 mm
D	30 mm
B	7 mm
C	7 mm
d1	21,1 mm
d2	20,1 mm
r1 min.	0,3 mm
r2 min.	0,3 mm
r3 min.	0,15 mm
r4 min.	0,15 mm
D1	25,9 mm
D2	– mm
da min.	19 mm
Da max.	28 mm
db min	19 mm
ra max.	0,3 mm
rb max.	0,15 mm
dh	22 mm
Db max	29,2 mm
Weight	0,014 Kg
Basic dynamic load rating (C)	3,19 kN



SKF BEARINGS Manufacturing India LTD.

Basic static load rating (C ₀)	1,46 kN
(Grease) Lubrication Speed	75 000 r/min
(Oil) Lubrication Speed	115 000 r/min
Fatigue load limit (P _u)	0,063
d ₁	21.1 mm
d ₂	20.1 mm
D ₁	25.9 mm
r _{1,2} min.	0.3 mm
r _{3,4} min.	0.15 mm
a	9.6 mm
d _a min.	19 mm
d _b min.	19 mm
D _a max.	28 mm
D _b max.	29.2 mm
r _a max.	0.3 mm
r _b max.	0.15 mm
d _n	22 mm
Basic dynamic load rating C	3.19 kN
Basic static load rating C ₀	1.46 kN
Fatigue load limit P _u	0.063 kN
Attainable speed for grease lubrication	75000 r/min
Attainable speed for oil-air lubrication	115000 r/min
Ball diameter D _w	3.969 mm
Number of balls z	13
Reference grease quantity G _{ref}	0.2 cm ³
Preload class A G _A	29 N
Static axial stiffness, preload class A	39 N/ μ m
Preload class B G _B	87 N
Static axial stiffness, preload class B	61 N/ μ m



SKF BEARINGS Manufacturing India LTD.

Preload class C G_C	175 N
Static axial stiffness, preload class C	79 N/ μ m
Calculation factor f	1.05
Calculation factor f_1	0.98
Calculation factor f_{2A}	1
Calculation factor f_{2B}	1.04
Calculation factor f_{2C}	1.08
Calculation factor f_{HC}	1.01
Calculation factor e	0.68
Calculation factor (single, tandem) Y_2	0.87
Calculation factor (single, tandem) Y_0	0.38
Calculation factor (single, tandem) X_2	0.41
Calculation factor (back-to-back, face-to-face) Y_1	0.92
Calculation factor (back-to-back, face-to-face) Y_2	1.41
Calculation factor (back-to-back, face-to-face) Y_0	0.76
Calculation factor (back-to-back, face-to-face) X_2	0.67
Mass bearing	0.014 kg