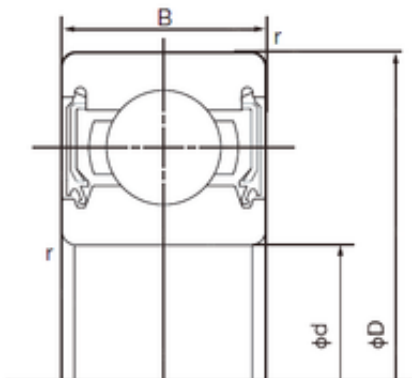




SKF BEARINGS Manufacturing India LTD.

25 mm x 47 mm x 12 mm NACHI 6005-2NSE
deep groove ball bearings



Bearing No. 6005-2NSE

6005-2NSE Bearing 2D drawings and 3D CAD models

| | |
|---------------------------------|--------------------------|
| Size | 25x47x12 mm |
| Bore Diameter | 25 mm |
| Outer Diameter | 47 mm |
| Width | 12 mm |
| d | 25 mm |
| D | 47 mm |
| B | 12 mm |
| C | 12 mm |
| r min. | 0.6 mm |
| da min. | 29 mm |
| Da max. | 43 mm |
| ra max. | 0.6 mm |
| Weight | 0.079 Kg |
| Basic dynamic load rating (C) | 10,1 kN |
| Basic static load rating (C0) | 5,85 kN |
| Category | Single Row Ball Bearings |
| Inventory | 0.0 |
| Manufacturer Name | NACHI |
| Minimum Buy Quantity | N/A |
| Weight / Kilogram | 0 |
| Product Group | B00308 |
| Enclosure | 2 Seals |
| Precision Class | ABEC 1 ISO P0 |
| Maximum Capacity / Filling Slot | No |



SKF BEARINGS Manufacturing India LTD.

| | |
|---------------------------|---|
| Rolling Element | Ball Bearing |
| Snap Ring | No |
| Internal Special Features | No |
| Cage Material | Steel |
| Enclosure Type | Contact Seal |
| Internal Clearance | C0-Medium |
| Inch - Metric | Metric |
| Long Description | 25MM Bore; 47MM Outside Diameter; 12MM Outer Race Width; 2 Seals; Ball Bearing; ABEC 1 ISO P0; No Filling Slot; No Snap Ring; No Internal Special Features; C0-Medium Internal Clearance; Steel Cage; |
| Other Features | Deep Groove |
| Category | Single Row Ball Bearing |
| UNSPSC | 31171504 |
| Harmonized Tariff Code | 8482.10.50.68 |
| Noun | Bearing |
| Keyword String | Ball |
| Manufacturer URL | http://www.nachi-america.com |
| Outside Diameter | 1.85 Inch 47 Millimeter |
| Outer Race Width | 0.472 Inch 12 Millimeter |
| Inner Race Width | 0 Inch 0 Millimeter |
| Bore | 0.984 Inch 25 Millimeter |